

T型隔膜阀 KST350

T TYPE DIAPHRAGM VALVE

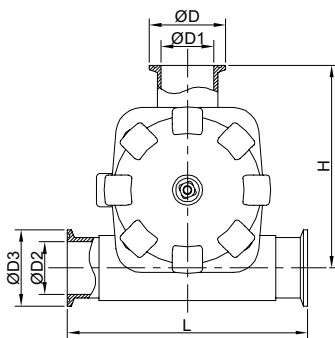
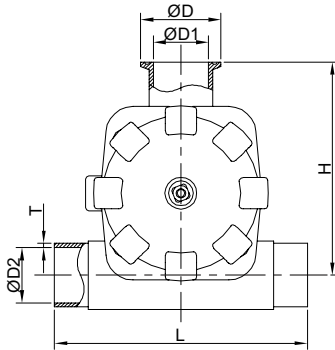
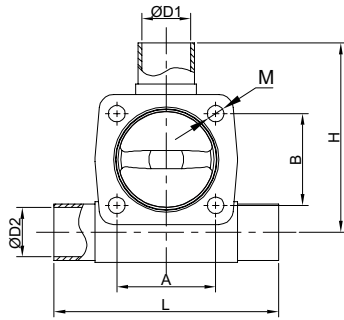
- > 工作压力：0-10bar
- > 工作温度：-40~150°C
- > 驱动机构：手动控制
- > 密封材质：EPDM,EPDM+TFM
- > 阀体设计：零死角设计
- > 阀体材质：316L (铸造 , EN1.4409 CF3M)
- > 接口尺寸：主通道 (DN1) DN25-DN65
出料口 (DN2) DN15-DN40
- > 接口方式：KST350-6：焊式，KST350-9：卡式
- > 表面处理：外表面 $Ra \leq 0.5\mu\text{m}$ (SF1) ,
内表面 $Ra \leq 0.375\mu\text{m}$ (SF4)
- > 接口标准：ISO,DIN,ASME BPE.3A,BS

- > Working pressure: 0-10bar
- > Working temperature: -40~150°C
- > Drive mechanism: manual control
- > Seal material: EPDM+TFM, EPDM
- > Body design: Zero dead angle design
- > Body material: 316L (casting, CF3M EN1.4409)
- > Interface size: main channel (DN1) DN25-DN65
Discharge port (DN2) DN15-DN40
- > Interface mode: KST350-6: Welding, KST350-9: Card
- > Surface treatment: the outer surface of Ra is less than or equal to 0.5 m (SF1),
The inner surface of Ra is less than or equal to 0.375 m (SF4)
- > Interface standard: ISO, DIN, BPE.3A BS, ASME



T型隔膜阀

T TYPE DIAPHRAGM VALVE



No.KST350-6

Size	D1	D2	A	B	H	L	M
DN20-15	9.5	15.8	22	22	63	127	M4
DN25-20	15.8	22.1	54	46	97	127	M6
DN25-25	22.1	22.1	54	46	101	127	M8
DN40-20	15.8	34.8	54	46	104	146	M6
DN40-25	22.1	34.8	54	46	110	146	M8
DN40-32	28.5	34.8	70	65	130	159	M10
DN40-40	34.8	34.8	70	65	140	159	M10
DN50-20	15.8	47.5	54	46	115	146	M6
DN50-25	22.1	47.5	54	46	118	146	M8
DN50-32	28.5	47.5	70	65	136	159	M10
DN50-40	34.8	47.5	70	65	145	159	M10
DN50-50	47.5	47.5	82	78	155	190	M12
DN65-20	15.8	60.3	54	46	114	146	M6
DN65-25	22.1	60.3	54	46	114	146	M8
DN65-40	34.8	60.3	70	65	136	168	M10

No.KST350-9

Size	D	D1	D2	H	L	T
DN20-15	50.5	9.5	15.8	63	127	2
DN25-20	50.5	15.8	22.1	97	127	2
DN25-25	50.5	22.1	22.1	101	127	2
DN40-20	50.5	15.8	34.8	104	146	2
DN40-25	50.5	22.1	34.8	110	146	2
DN40-32	50.5	28.5	34.8	130	159	2
DN40-40	50.5	34.8	34.8	140	159	2
DN50-20	50.5	15.8	47.5	115	146	2
DN50-25	50.5	22.1	47.5	118	146	2
DN50-32	50.5	28.5	47.5	136	159	2
DN50-40	50.5	34.8	47.5	145	159	2
DN50-50	64.0	47.5	47.5	155	190	2
DN65-20	77.5	15.8	60.3	114	146	2
DN65-25	77.5	22.1	60.3	114	146	2
DN65-40	77.5	34.8	60.3	136	168	2

No.KST350-12

Size	D	D1	D2	D3	H	L
DN20-15	50.5	9.5	15.8	50.5	63	127
DN25-20	50.5	15.8	22.1	50.5	97	127
DN25-25	50.5	22.1	22.1	50.5	101	127
DN40-20	50.5	15.8	34.8	50.5	104	146
DN40-25	50.5	22.1	34.8	50.5	110	146
DN40-32	50.5	28.5	34.8	50.5	130	159
DN40-40	50.5	34.8	34.8	50.5	140	159
DN50-20	50.5	15.8	47.5	50.5	115	146
DN50-25	50.5	22.1	47.5	50.5	118	146
DN50-32	50.5	28.5	47.5	50.5	136	159
DN50-40	50.5	34.8	47.5	50.5	145	159
DN50-50	64.0	47.5	47.5	64.0	155	190
DN65-20	50.5	15.8	60.3	77.5	114	146
DN65-25	50.5	22.1	60.3	77.5	114	146
DN65-40	50.5	34.8	60.3	77.5	136	168